

**MODEL:** 5SHP-GEL  
**VOLTAGE:** 12  
**DIMENSIONS:** Decimals (mm)  
**BATTERY:** VRLA GEL  
**COLOR:** Maroon (case) Grey (cover)  
**MATERIAL:** Polypropylene  
**WATERING SYSTEM:** N/A



## PRODUCT SPECIFICATIONS

| BCI GROUP SIZE                        | TYPE     | CAPACITY <sup>A</sup> Minutes @25 Amps | CAPACITY <sup>B</sup> Amp-Hours (AH) |            |            |             | ENERGY (kWh) 100-Hr Rate | TERMINAL Type <sup>E</sup> | DIMENSIONS <sup>C</sup> Decimals (mm) |            |                     | WEIGHT lbs. (kg) |
|---------------------------------------|----------|--|--------------------------------------|------------|------------|-------------|--------------------------|----------------------------|---------------------------------------|------------|---------------------|------------------|
|                                       |          |  | 5-Hr Rate                            | 10-Hr Rate | 20-Hr Rate | 100-Hr Rate |                          |                            | Length                                | Width      | Height <sup>D</sup> |                  |
| <b>12 VOLT DEEP CYCLE GEL BATTERY</b> |          |  |                                      |            |            |             |                          |                            |                                       |            |                     |                  |
| DIN                                   | 5SHP-GEL | 250                                    | 110                                  | 115        | 125        | 137         | 1.64                     | 8                          | 13.53 (344)                           | 6.72 (171) | 10.99 (279)         | 83 (39)          |

- A. The number of minutes a battery can deliver when discharged at a constant rate at 80°F (27°C) and maintain a voltage above 1.75 V/cell. Capacities are based on peak performance.
  - B. The amount of amp-hours (AH) a battery can deliver when discharged at a constant rate at 77°F (25°C) for Gel Lines and maintain a voltage above 1.75 V/cell. Capacities are based on peak performance.
  - C. Dimensions are based on nominal size. Dimensions may vary depending on type of handle or terminal.
  - D. Dimensions taken from bottom of the battery to the highest point on the battery. Heights may vary depending on type of terminal.
  - E. Terminal images are representative only.
- Trojan's battery testing procedures adhere to both BCI and IEC test standards.

## CHARGING INSTRUCTIONS

### CHARGER VOLTAGE SETTINGS (AT 77°F/25°C)

| System Voltage    | 12V         | 24V         | 36V         | 48V         |
|-------------------|-------------|-------------|-------------|-------------|
| Absorption Charge | 14.1 – 14.4 | 28.2 – 28.8 | 42.3 – 43.2 | 56.4 – 57.6 |
| Float Charge      | 13.5        | 27          | 40.5        | 54          |

Do not install or charge batteries in a sealed or non-ventilated compartment. Constant under or overcharging will damage the battery and shorten its life as with any battery.

## CHARGING TEMPERATURE COMPENSATION


.028 VPC for every 10°F (5.55°C) above or below 77°F (25°C) (add .028 VPC for every 10°F (5.55°C) below 77°F and subtract .028 VPC for every 10°C above 77°F).

## OPERATIONAL DATA

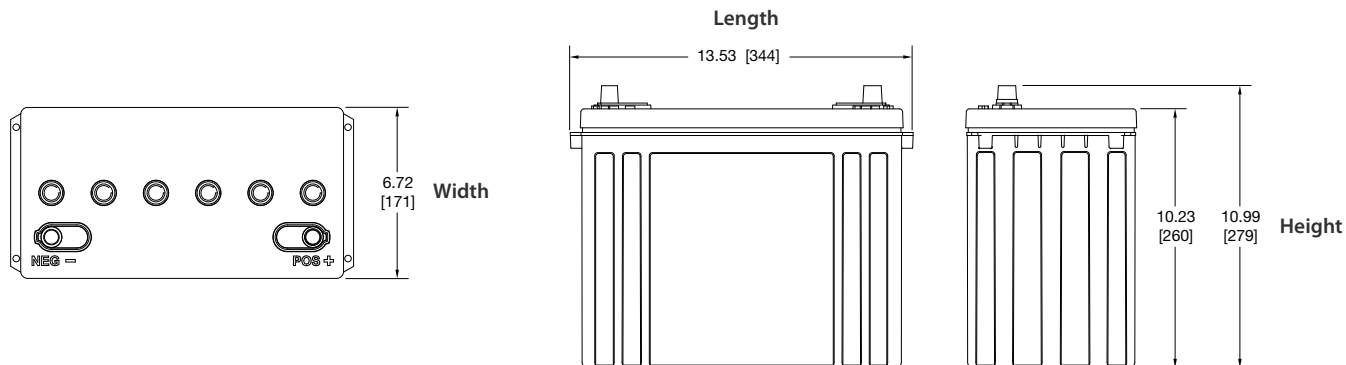
| Operating Temperature   | Self Discharge  |
|---|---|
| -4°F to 113°F (-20°C to +45°C). At temperatures below 32°F (0°C) maintain a state of charge greater than 60%. | Less than 3% per month depending on storage temperature conditions. |

Batteries may be utilized at higher temperatures with the understanding that battery life will be reduced by 50% for every 10° C (18° F) increase in operating temperatures over 68° F (20° C).

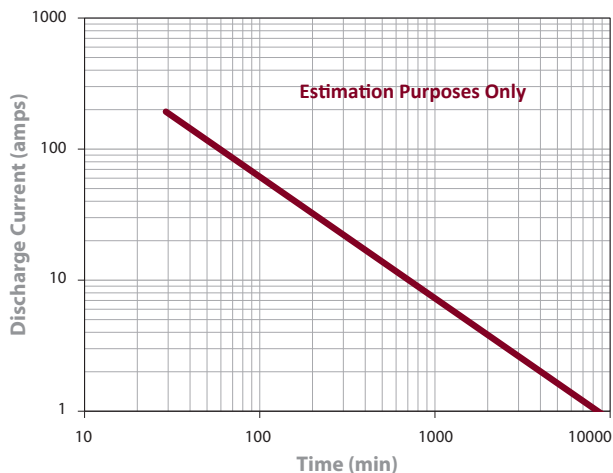
## TERMINAL CONFIGURATIONS

| 8   | AP | Automotive Terminal  |
|---|----|--|
|  |    | Terminal Height Decimals (mm)<br>.83 (21)<br>Torque Values in-lb (Nm)<br>50 – 70 (6 – 8) |

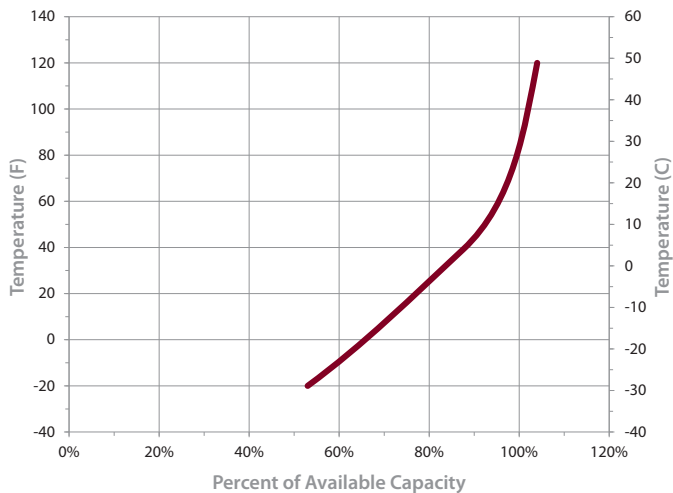
## BATTERY DIMENSIONS (shown with AP)



## TROJAN 5SHP-GEL PERFORMANCE



## PERCENT CAPACITY VS. TEMPERATURE



Trojan batteries are available worldwide through Trojan's Master Distributor Network. We offer outstanding technical support, provided by full-time application engineers.

**For a Trojan Master Distributor near you, call 800.423.6569 or + 1.562.236.3000 or visit [www.trojanbattery.com](http://www.trojanbattery.com)**

12380 Clark Street, Santa Fe Springs, CA 90670 • USA